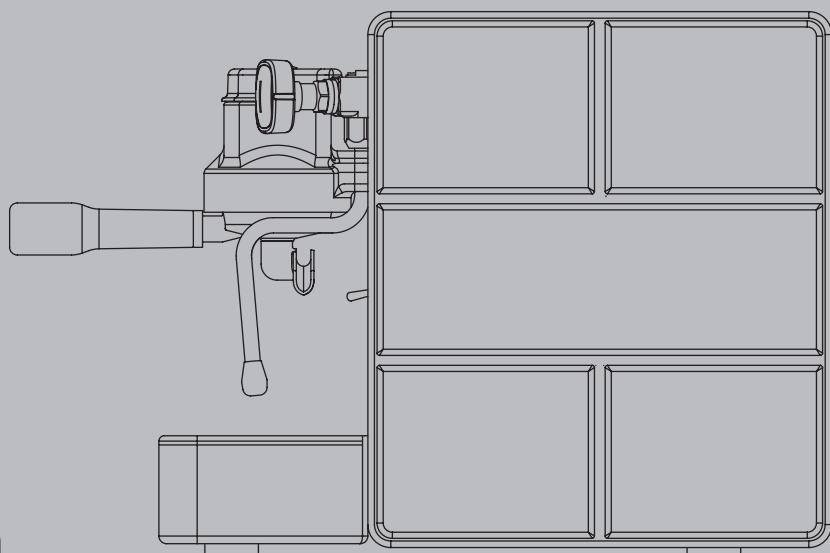


# STONE

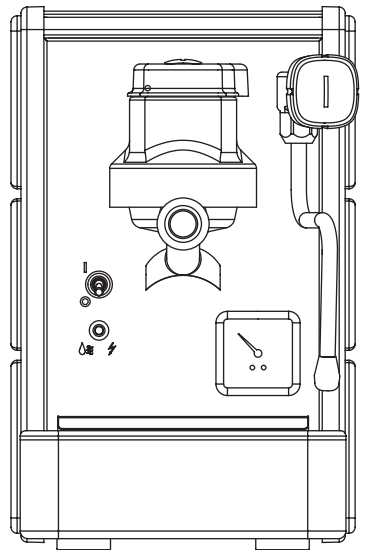
[www.stone-espresso.com](http://www.stone-espresso.com)



English

# STONE

Reinventing the Coffee Space.





**A coffee machine that enhances your favorite origins. With Stone you will savor every nuance of your espresso. No more compromises —satisfy your passion for coffee.**

# Your kitchen becomes a gourmet coffee bar.



**Optimum temperature stability, better results in the cup.** Beautiful and compact, but with no compromises. Stone's design seduces and its thermal stability conquers. No plastic parts, only metal, meaning better and more consistent results in the cup.

## **Fast ignition.**

Stone is ready in just 10 minutes. Save time, enjoy your coffee or cappuccino in serenity, and start the day in a great way.

## **Innovation takes shape.**

Crafted with high-quality materials for a unique design, Stone packs its professional technology in a compact domestic size.

# The pleasure of choice.

Discover all the stylistic combinations and choose the Stone that suits you best. The choice is yours, but the quality always remains at its highest level.

## Pure

---

**Side Panel:** Grey



**Slab:** Grey



## Plus

---

**Side Panel:** Black



**Slab:** Black



# Mine

---

**Side Panel:** Satin



**Slab:** Black, Green



# Mine Premium

---

**Side Panel:** Chrome



**Slab:** Satin



# Mine Premium Wood

---

**Side Panel:** Chrome

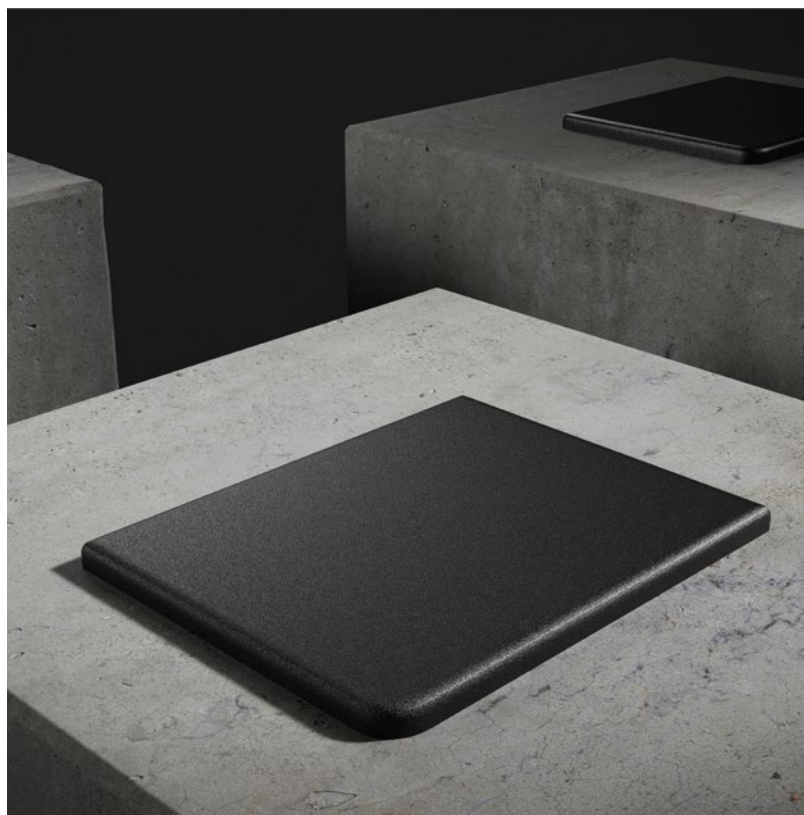


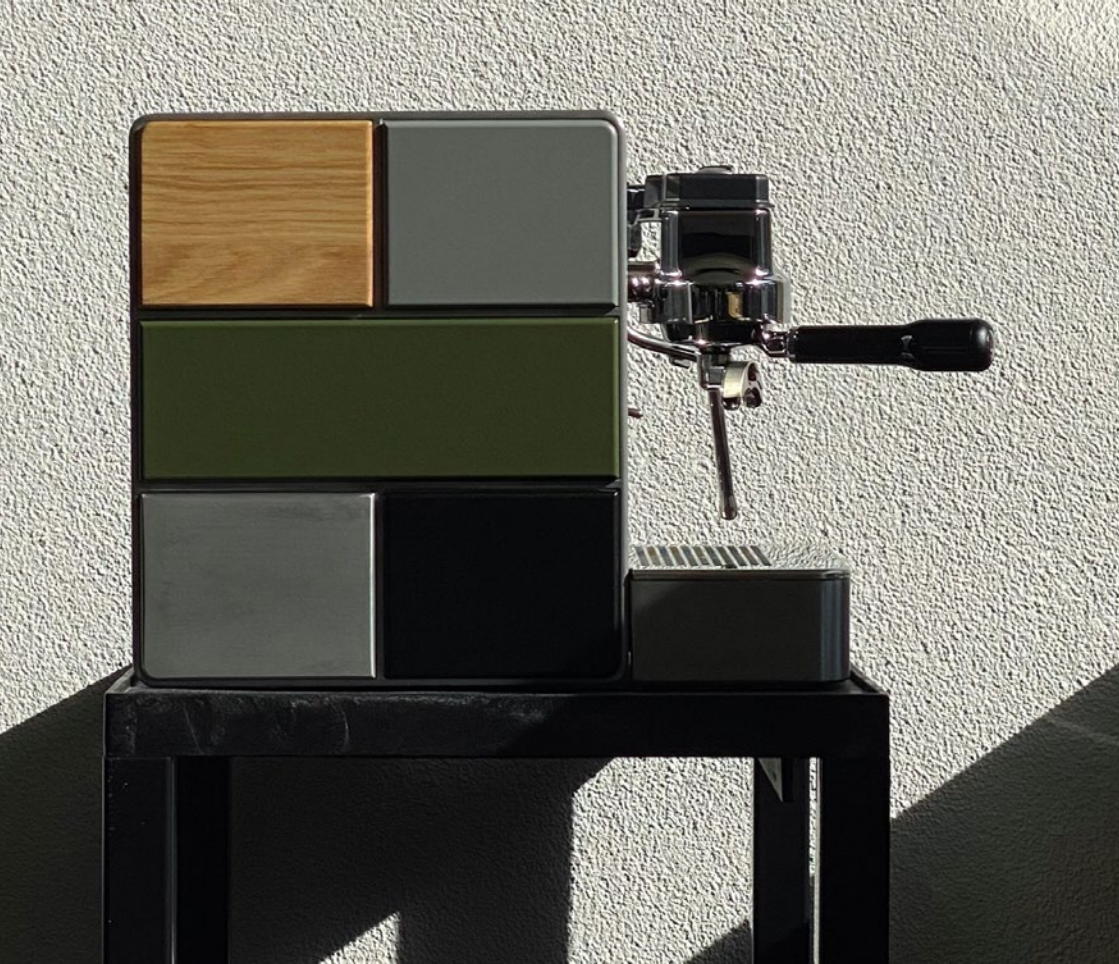
**Slab:** Wood



## Match it to your decor.

Rustic or industrial – whatever the style of your kitchen, with Slab choose the design you desire for your environment.





## Stone changes with you.

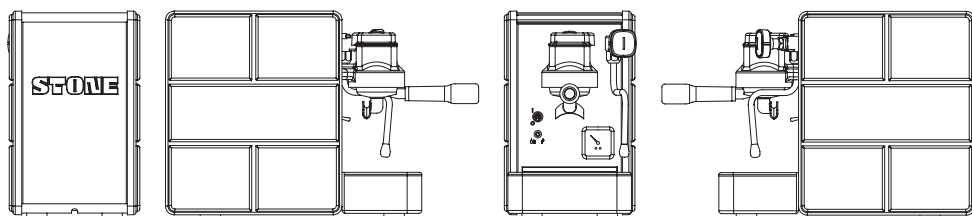
Thanks to the quick coupling system, replacing the Slabs is fast and easy. So, if you change your house or decor, Stone can change with you.



## Innovation takes shape.

- **Boiler capacity (1.5 L)**, equipped with a 1000W heater, crossed by an internal coil path for coffee water heating (10 cc).
- **Heavy brass group (>3 kg)** and PID-controlled heating system (200W) for a stable and constant brew temperature.
- **Steam chamber 0.8 L** for constant steam supply even during coffee brewing.
- **Removable water tank (1.2 L).**
- **ECO mode available.**
- **RGB led control light** for machine status and warnings.
- **Compact dimensions:** 22.5 cm x 44 cm x 35.5 cm (width x depth x height).
- **Total Weight:** 20.5 Kg.
- **220-240V 50/60Hz** and **115V 60Hz** versions available.
- **Stainless steel panels and fully customizable aluminum side elements** (different colors and materials available).
- **On-line configurator tool** to build and order your own machine.

# Technical information.



## Measurements

---

**Width**  
225 mm

**Height**  
355 mm

**Depth**  
440 mm

**Weight**  
20.5 kg

## Heater

---

1000 W

## Heating System

---

200 W

## Boiler Capacity

---

1.5 L

## Steam Chamber

---

0.8 L

## Removable water tank

---

1.2 L

## Wattage - Version A

---

220-240 V - 50/60 Hz

## Wattage - Version B

---

115 V - 60 Hz

## Panels

---

Stainless Steel

## Side panels

---

Available in different colors and materials



## Find the perfect grinding match.

Freshly ground beans are a must-have. Explore the grinding possibilities to pair with your Stone machine.



More information and updates:

[www.stone-espresso.com](http://www.stone-espresso.com)

Instagram: [@stone.espresso](https://www.instagram.com/stone.espresso)

