



**SOTTO BANCO**

---

PRODUCT MARKETING  
LAUNCH



# SOTTO BANCO

---

## MACHINE OVERVIEW

# SOTTO BANCO

## MACHINE OVERVIEW



**Sotto Banco** is a stylish under counter machine, featuring sleek raised groups extending from the counter, with both the service boiler and auxiliary equipment located under the counter.

# SOTTO BANCO DESIGN



**Unique and outstanding design** for a different approach and solution to the traditional coffee machine.

The chassis of the machine is made in **Stainless steel AISI 304**: no doubt that is a Rocket machine!

Standard configuration for three groups (the module is designed for a third group)





# SOTTO BANCO

---

MAIN FEATURES

# SOTTO BANCO

## MULTI BOILER TECHNOLOGY



Sotto Banco has one big service boiler for hot water and steam in the module under the counter. On the counter are available two or three boilers dedicated to coffee.

All the boilers in Sotto Banco are in Stainless steel AISI 316L.

Capacity of the **coffee boiler** is:

- ✓ 2 groups machine: **2 x 1,5l**
- ✓ 3 groups machine: **3 x 1,5l**

Fully saturated coffee group connected directly to the coffee boiler means a perfect temperature stability.





# SOTTO BANCO

## MULTI BOILER TECHNOLOGY

**Service boiler** for steam and hot water is located in the module under the counter. The capacity of the service boiler is:

- ✓ 2 groups machine: **9l**
- ✓ 3 groups machine: **12l**

High capacity for high performance in steam and hot water.

In the module under the counter there are the service boiler, auxiliary equipment and softener.



# SOTTO BANCO INTERFACE



Sotto Banco fits a **new interface**.

Buttons pad for each group with 4 buttons for the following operations:

- Start/Stop button
- Single shot
- Double shot
- Flush

Available a version with **6 buttons**



# SOTTO BANCO INTERFACE

For each group is available a small display.  
The display shows, when the machine is not  
working, the **temperature** of the coffee group;  
during the brewing process it turns into **shot timer**.



# SOTTO BANCO INTERFACE

**4,3" TFT display** available on the module under the counter.

This is a Service display and information available on the display are:

- Pressure of the service boiler
- Water pressure from the main line
- Access to the machine setting



# SOTTO BANCO

## STEAM WAND

Sotto Banco features **two or three steam wands**, barista style, **cold touch**.

With a special system by Rocket, **steam is dry** and with a minimal initial condensation (**Patent Pending**).

Thanks to the big capacity of the service boiler in Sotto Banco, continuous use of steam is guaranteed with **no drop in performance** even when using two or three wands at the same time.

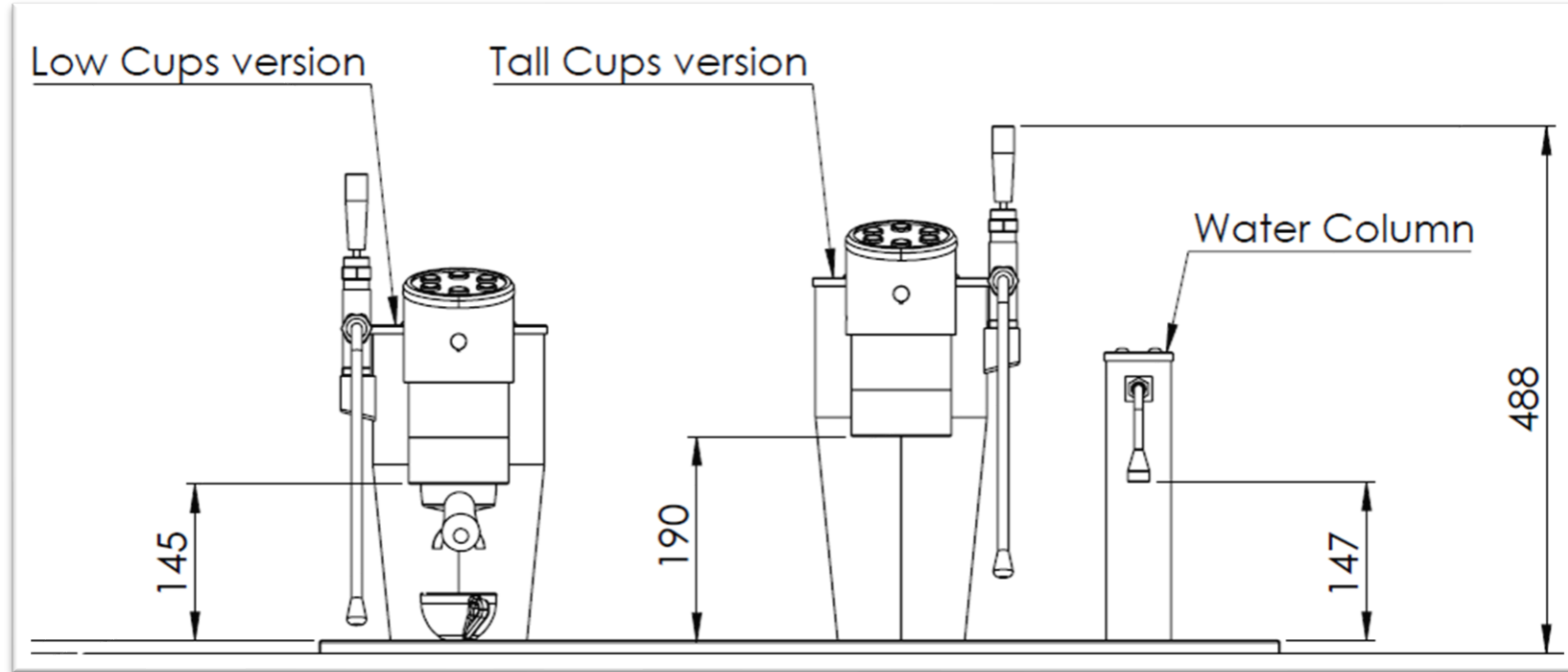
With the joystick, the control of the speed of the steam is always guaranteed.

**PATENT  
PENDING**



# SOTTO BANCO

## TALL CUP VERSION



Sotto Banco can be configured in standard version or **Tall Cup**: it's possible to raise up the coffee groups on the counter. The height of the coffee group can be adjusted from **85 mm** for the standard version up to **130 mm** for Tall Cup.

# SOTTO BANCO

## HOT WATER SPOUT



**One or two hot water spout** are available for different setting/configuration.

Possibility to adjust the temperature of the water mixing hot water from the boiler and cold water from main line (on the module under the counter).



# SOTTO BANCO

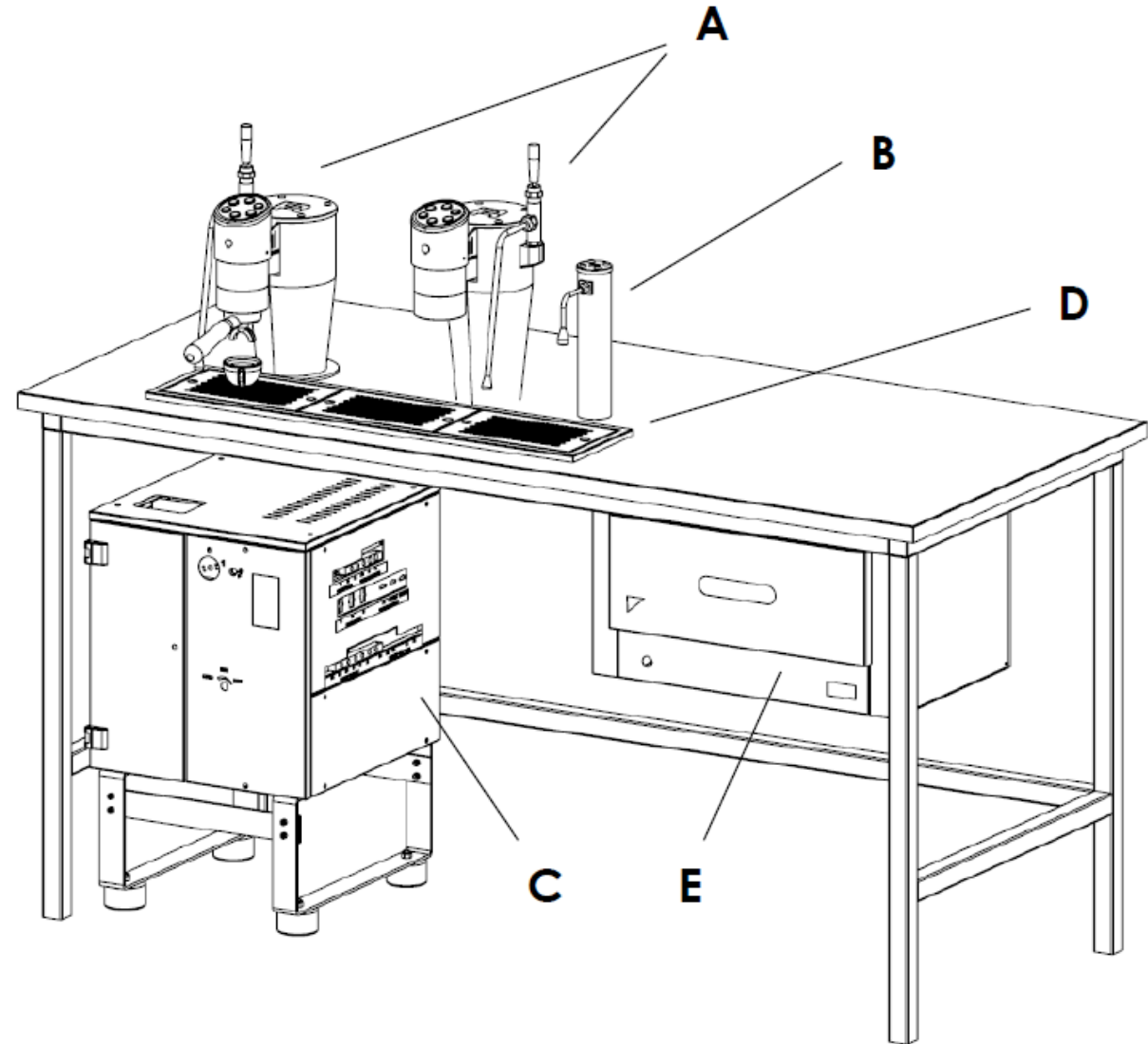
## CUP WARMER MODULE



The Sotto Banco machine is composed by 3 (three) main subcomponents:

- A. Saturated groups** (Coffee brew + Steam)
- B. Hot water wand groups**
- C. Main module** under the countertop

Plus a **drip tray** (D) and an optional separate **cups heater drawer** (E).








# SOTTO BANCO

---

## MACHINE SETTING

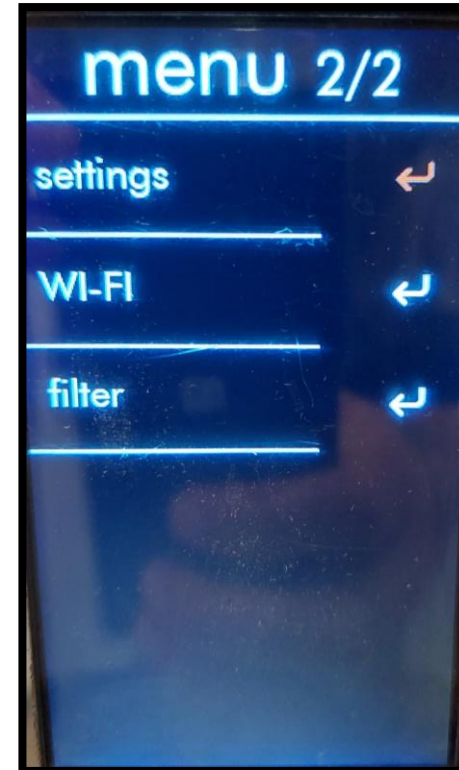
# SOTTO BANCO MACHINE SETTING



Pressing button  and  you can enter the menu of the machine.

Here it's possible to control and adjust:

- ✓ Service boiler pressure
- ✓ Coffee boiler temperature
- ✓ Pre-infusion time
- ✓ Date and time
- ✓ Calendar
- ✓ Language
- ✓ Settings
- ✓ Wi-Fi
- ✓ Filter

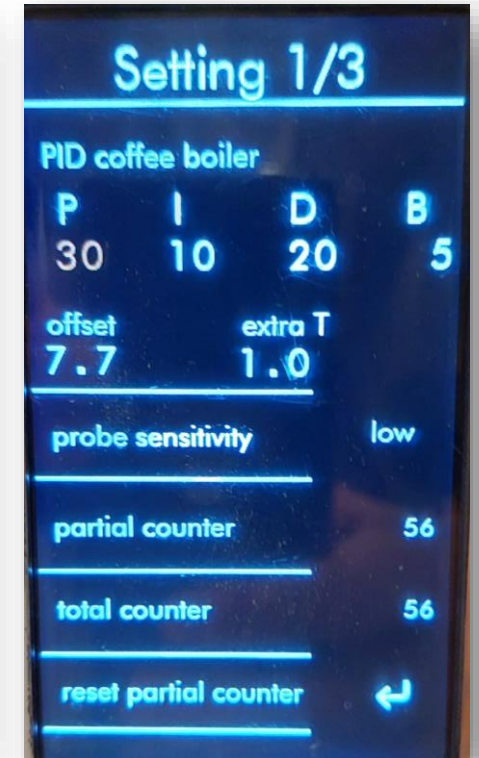
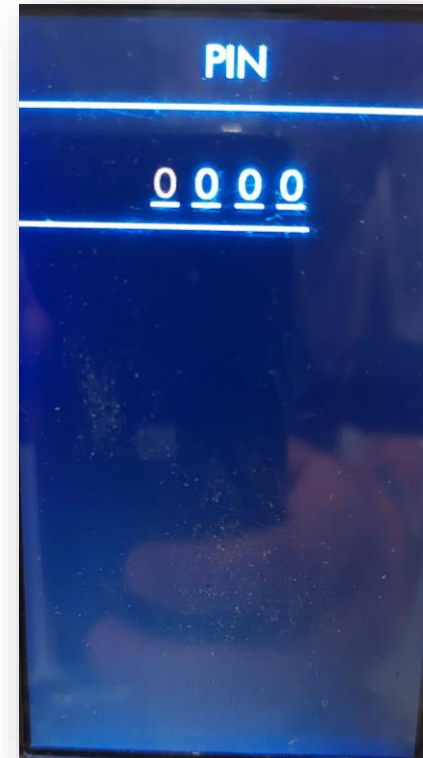


# SOTTO BANCO MACHINE SETTING



In the Setting menu, there are several options available:

- PIN code (as standard always 0000, but it can be modified)
- PID coffee boiler
- Probe sensitivity (high / low)
- Partial counter (this can be reset)
- Total counter



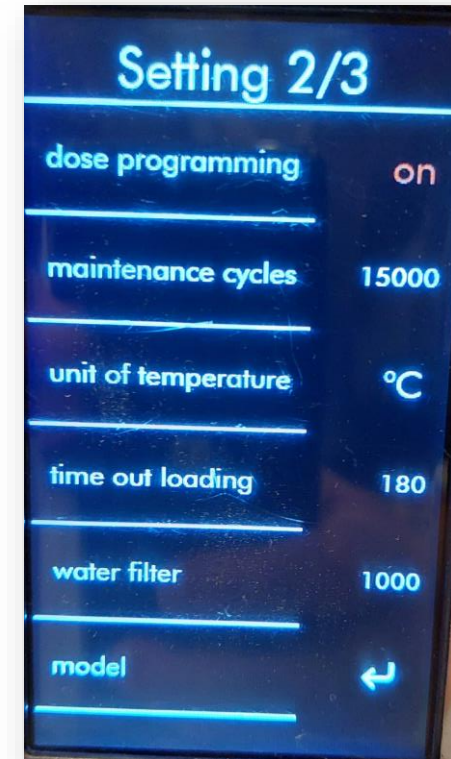
# SOTTO BANCO

## MACHINE SETTING



In the Setting menu, there are several options available:

- Dose programming
- Maintenance cycles
- Unit of temperature
- Time out loading
- Water filter
- Model (software platform for different Rocket commercial machines)

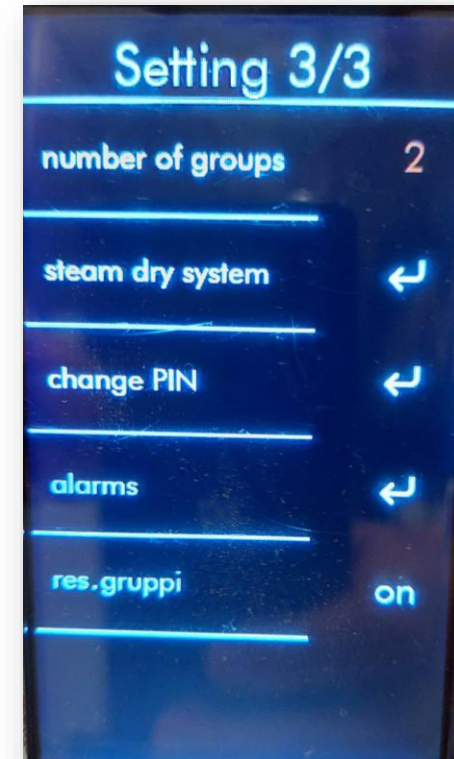


# SOTTO BANCO MACHINE SETTING



In the Setting menu, there are several options available:

- Number of groups (Sotto Banco available with 2 or 3 groups)
- Steam dry system
- Change PIN
- Alarm / Errors







# SOTTO BANCO

---

TECHNICAL  
FEATURES



# SOTTO BANCO

## TECHNICAL INFORMATION



	<b>2 GROUPS</b>	<b>3 GROUPS</b>
Hot water spout	1	2
Technology	Multi Boiler	
Portion Control	Automatic	
Coffee Boiler	2 x 1,5 l	3 x 1,5 l
Power - Coffee Boiler	2,4 kW	3,6 kW
Main Boiler	9,0 l	12,0 l
Power – Main Boiler	3,0 kW	3,0 kW
W x D x H (mm)	890 x 386 x 355 (tall version 400)	1.300 x 386 x 355 (tall version 400)
Total Power	5,7 kW	6,9 kW
Under counter module (mm)	450 x 512 x 740 (W x D x H)	
Bodywork	Stainless steel AISI 304	
Boiler Material	Stainless steel AISI 316L	
Thermal Control	PID / Pressure transducer	
Steam Wands	Stainless steel + cool touch	
Cup Height (mm)	85 (tall version: 130)	
Shot Timer	Standard	



**ROCKET**<sup>®</sup>  

---

**ESPRESSO MILANO**