

ARAM[®]

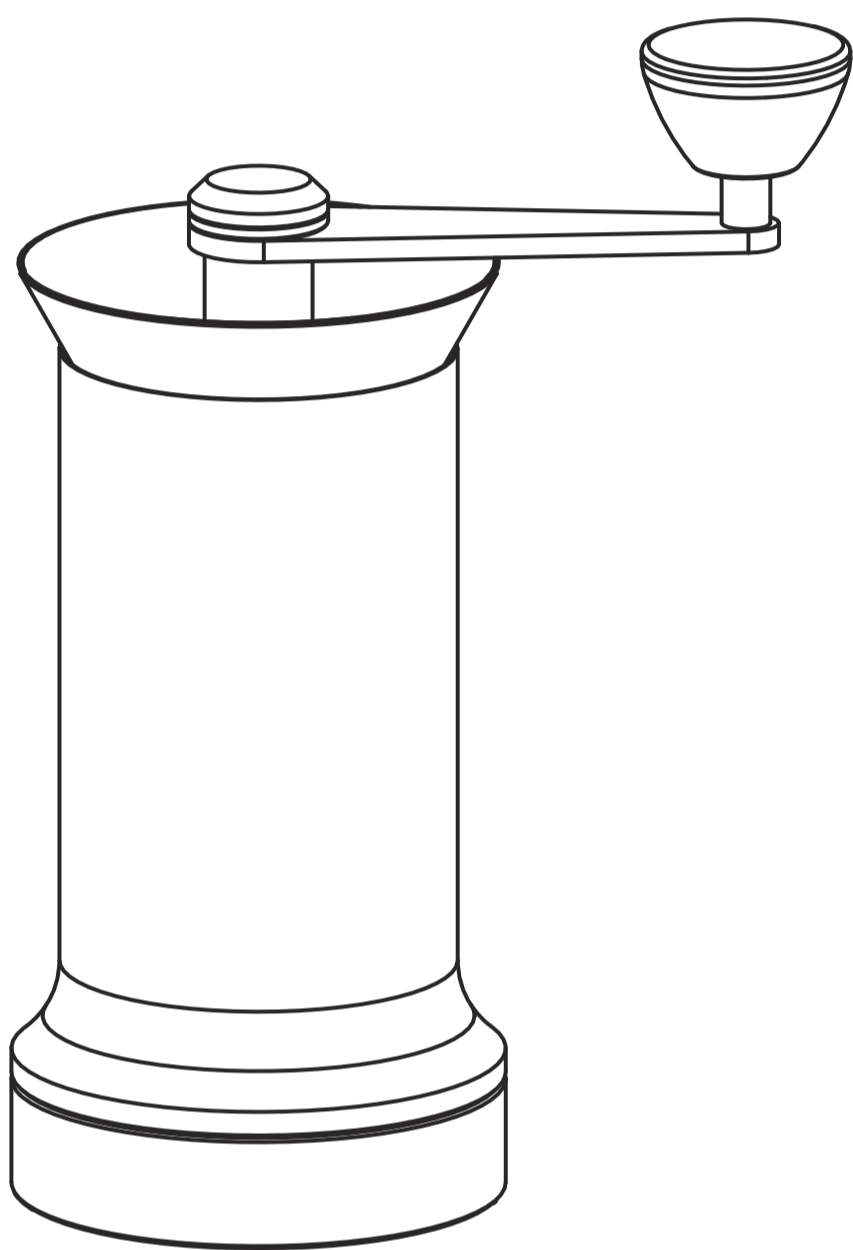
ESPRESSO MAKER

MANUAL

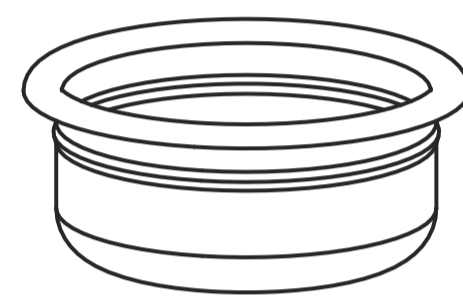


HOW TO SET UP YOUR ESPRESSO MAKER

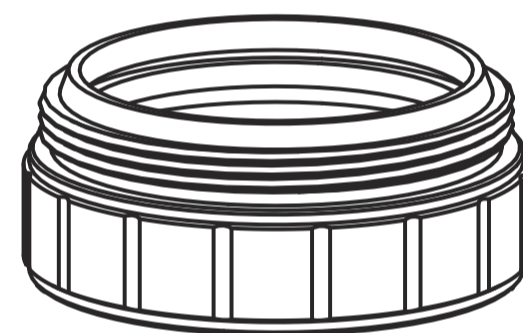
COMPONENTS



ESPRESSO MAKER

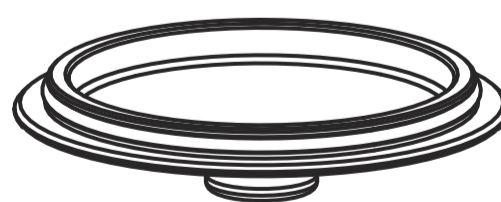


FILTER



FILTER HOLDER

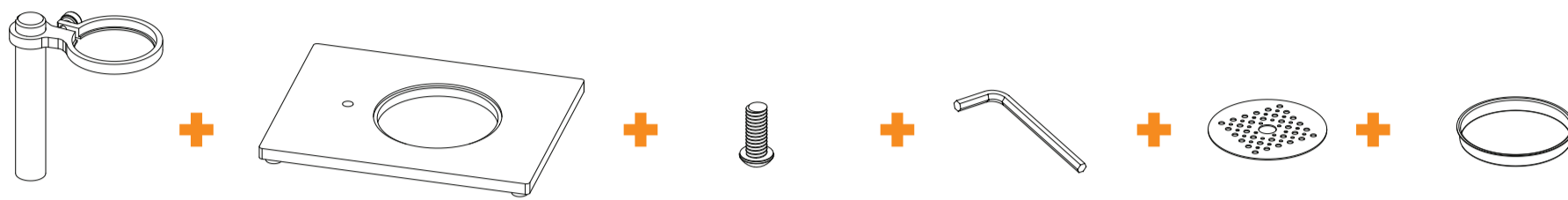
ACCESSORY



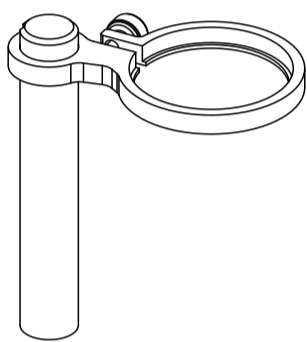
FUNNEL

*COUNTERTOP VERSION
USAGE ONLY

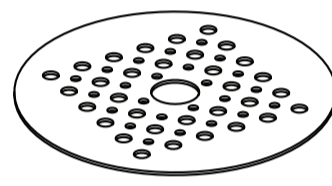
SUPPORT SET UP



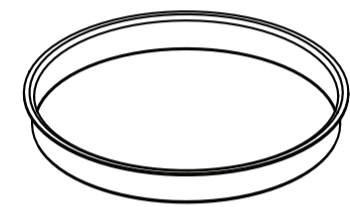
COMPONENTS



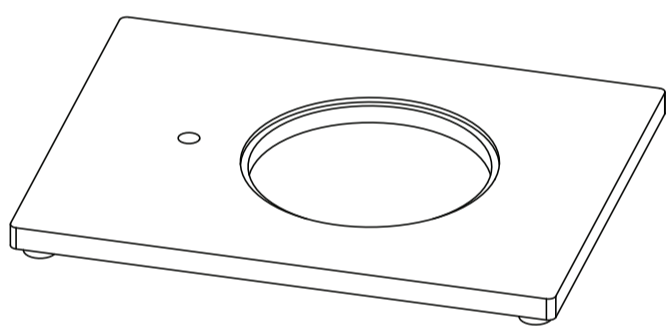
SUPPORT



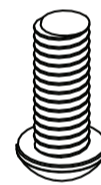
WATER TANK LID



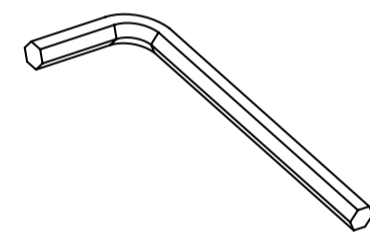
TANK



BASE



BASE SCREW

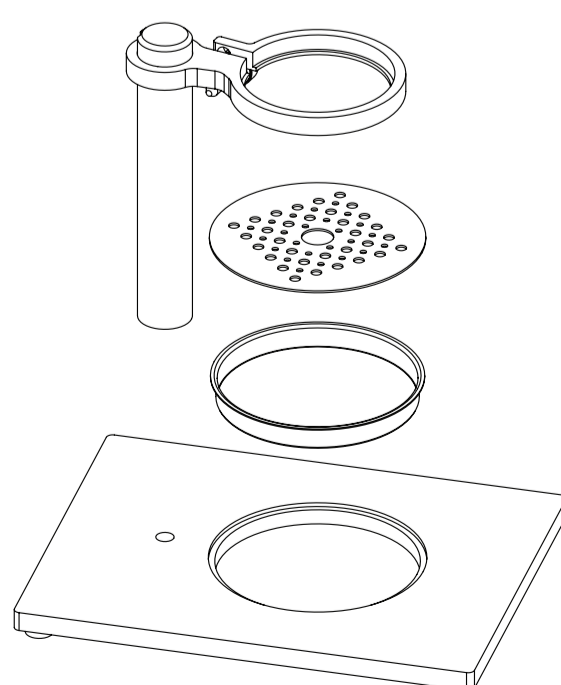
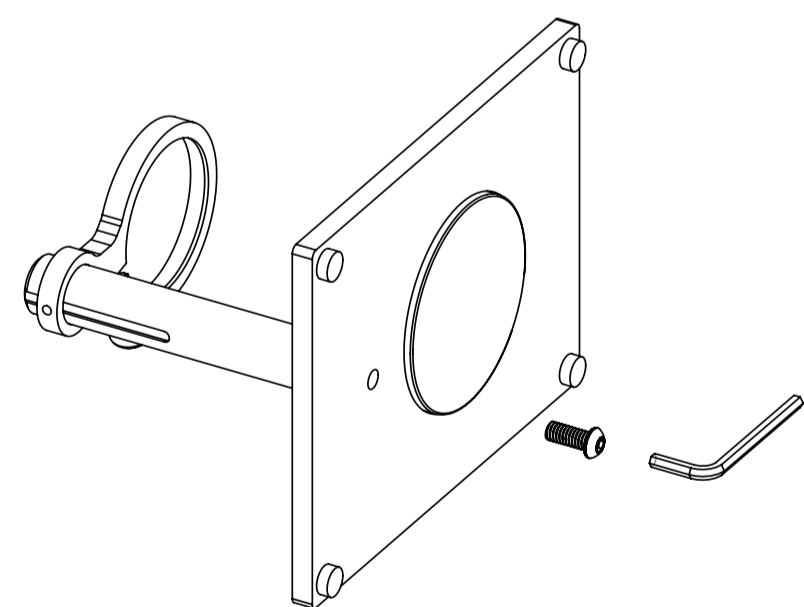


ALLEN WRENCH

***TO SET UP BASE SCREW**

HOW TO SET UP

- 1** POSITION YOUR SUPPORT ALONG THE HOLE IN THE BASE AND INSERT THE SCREW AND UTILIZE YOUR ALLEN WRENCH TO TIGHTEN IT. THE WRENCH COMES WITH THE KIT.

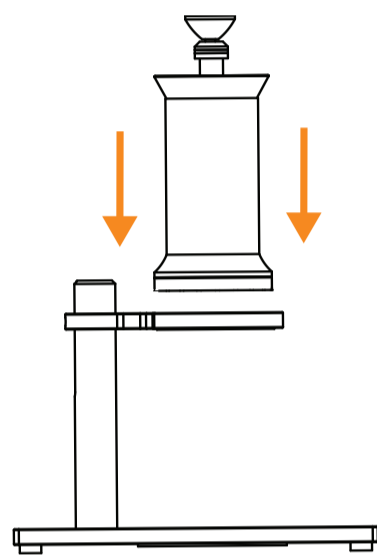


- 2** PLACE YOUR WATER TANK AND LID AT THE BASE.

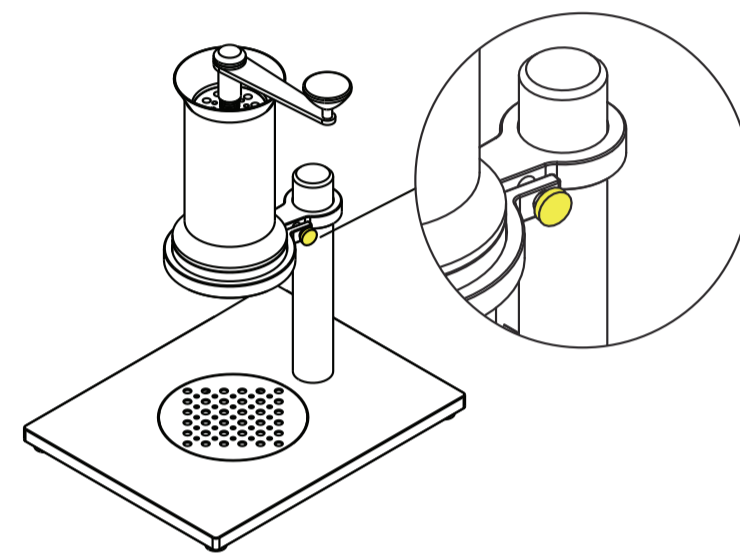
COUNTER TOP VERSION

HOW TO SET UP

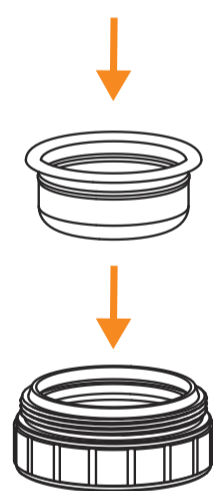
- 1** PLACE THE ESPRESSO MAKER WITHOUT THE FILTER HOLDER IN THE COUNTERTOP SUPPORT.



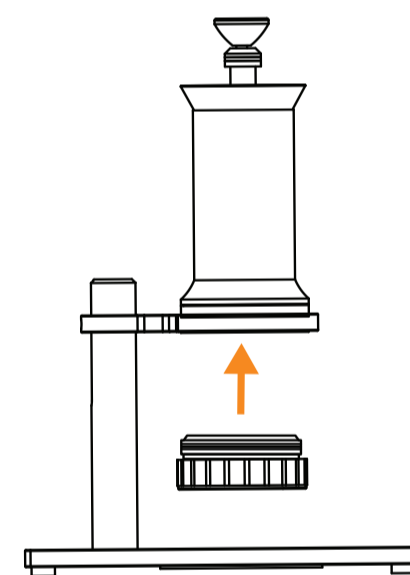
- 2** TIGHTEN THE GOLDEN SCREW, UNTIL IT BECOMES VERY FIRM.



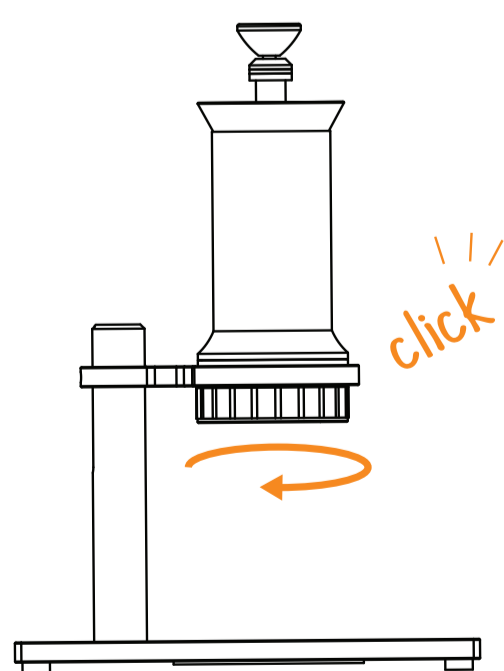
- 3** INSERT THE FILTER WITHIN THE FILTER HOLDER.



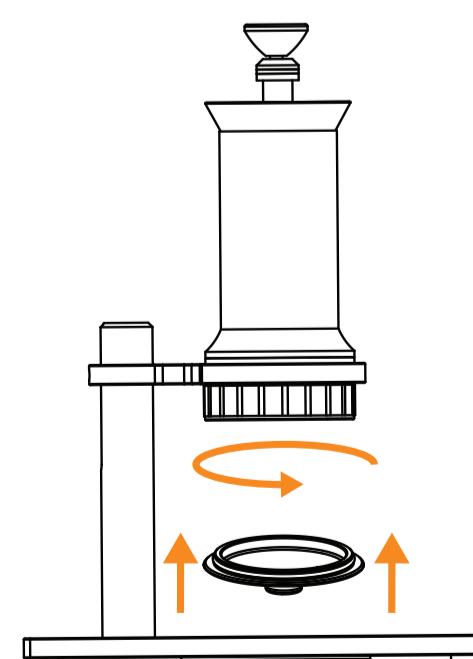
- 4** ATTACH FILTER HOLDER.



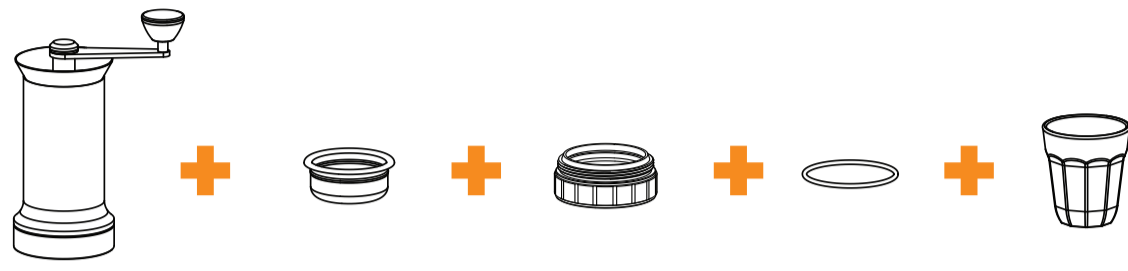
- 5** IN ORDER TO LEVEL THE FILTER HOLDER WITHIN THE ESPRESSO MAKER, TURN THE FILTER HOLDER CLOCKWISE UNTIL YOU HEAR A CLICK.



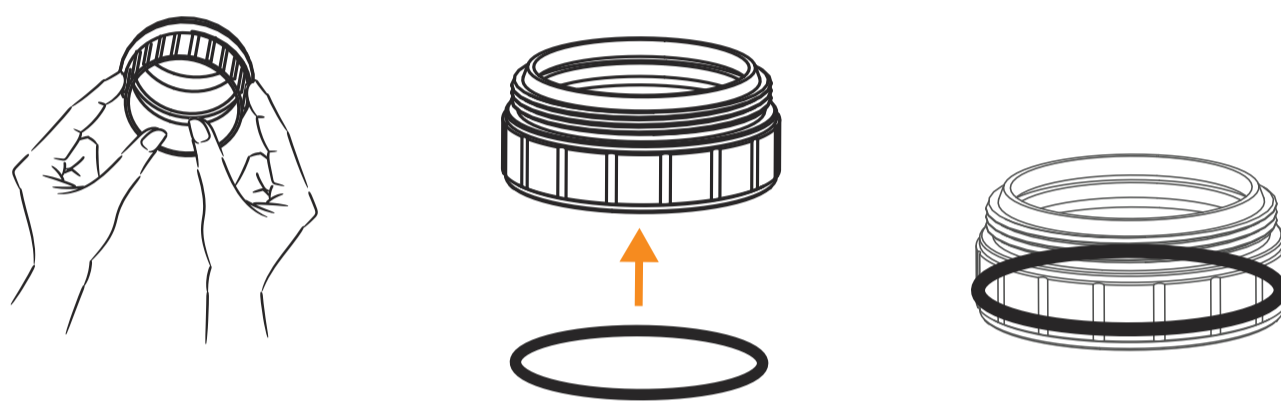
- 6** AFTER THE CLICK, TURN ANTICLOCKWISE IN ORDER TO ATTACH IT ONTO THE MACHINE. CLAMP THE FUNNEL.



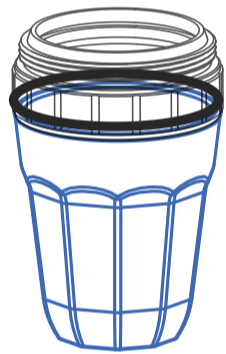
PORTABLE VERSION



1 MAKE SURE THE RING GASKET IS PLACED CORRECTLY WITHIN THE FILTER HOLDER.

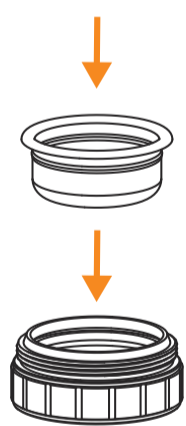


2 LEVEL THE RING GASKET:

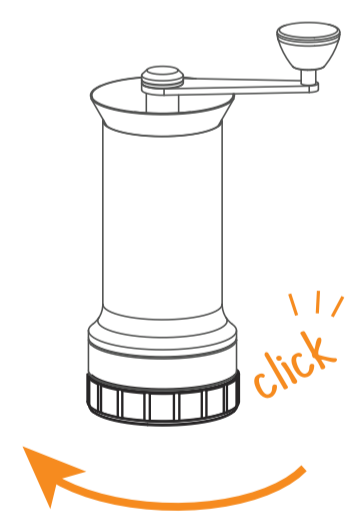


- FIT THE CUP WITHIN THE FILTER HOLDER
- TURN THE CUP AND PRESS FIRMLY
- ALLOW A MINUTE FOR THE RING TO ADJUST ITSELF.
- HOLD THE CUP AND TURN MACHINE SIDEWAYS TO REMOVE THE CUP

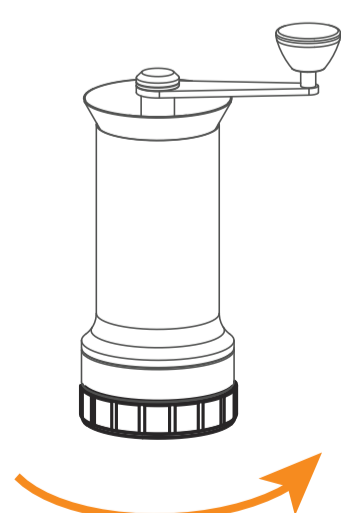
3 ATTACH THE FILTER TO THE FILTER HOLDER.



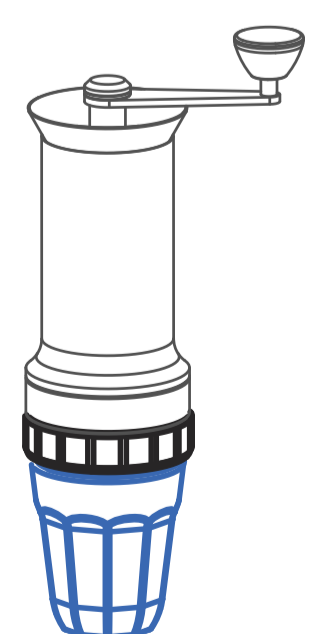
4 IN ORDER TO LEVEL THE FILTER HOLDER ONTO ESPRESSO MAKER, TURN THE FILTER HOLDER CLOCKWISE UNTIL YOU HEAR A CLICK.



5 AFTER THE CLICK, TURN ANTICLOCKWISE IN ORDER TO FIX IT CORRECTLY UNTO THE MACHINE.



6 ATTACH THE CUP ONLY AT THE TIME YOU´LL MAKE THE ESPRESSO.



ANY QUESTIONS?

GET IN TOUCH:

HELLO@ARAM.COFFEE

ARAM