

**modbar**<sup>TM</sup>  
modular brewing systems

**Parts Catalog**  
**Pour Over System**



**Contents**

SPECIFICATIONS .....3-4

POUR OVER TAP SYSTEM .....5-6

POUR OVER TAP SYSTEM .....7-8

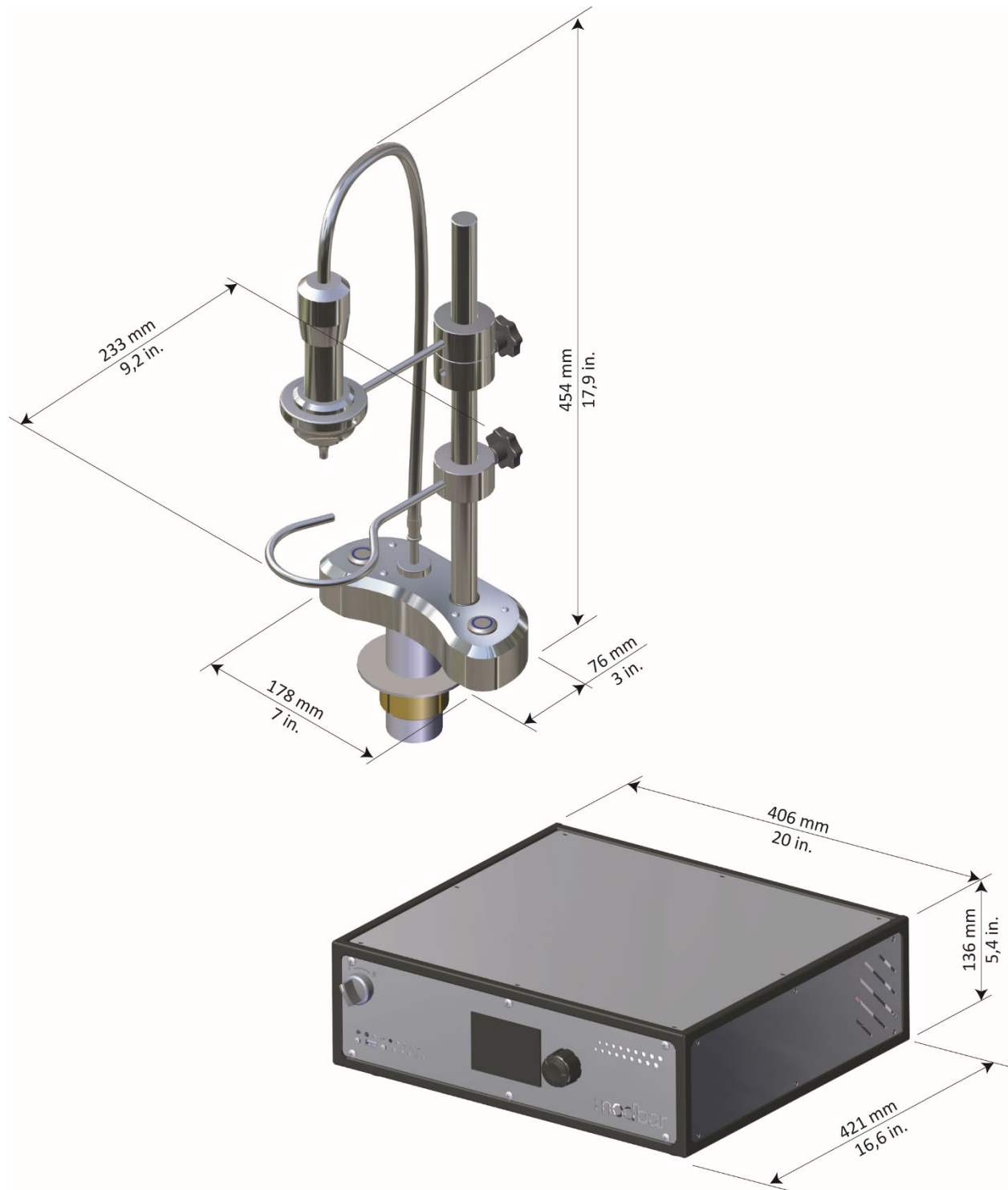
POUR OVER MODULE SYSTEM.....9-10

POUR OVER MODULE SYSTEM.....11-12

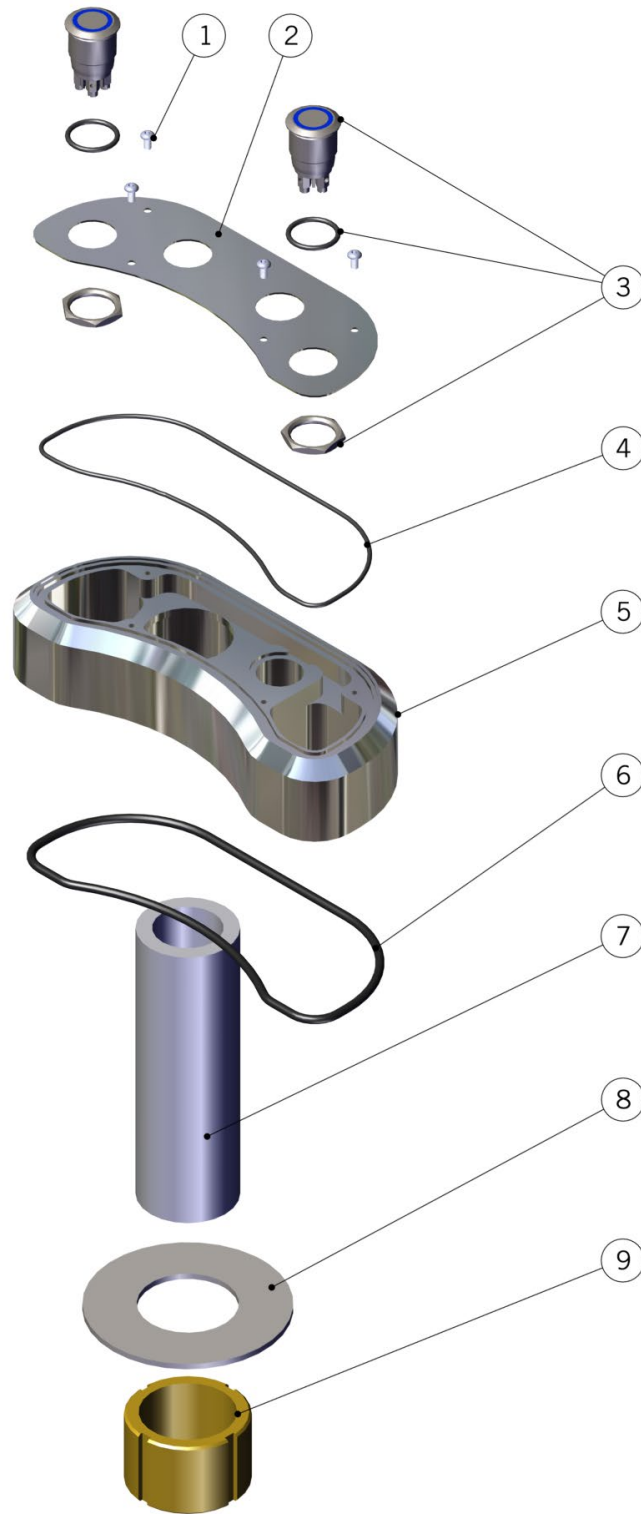
POUR OVER MODULE SYSTEM.....13-14

POUR OVER MODULE SYSTEM.....15-16

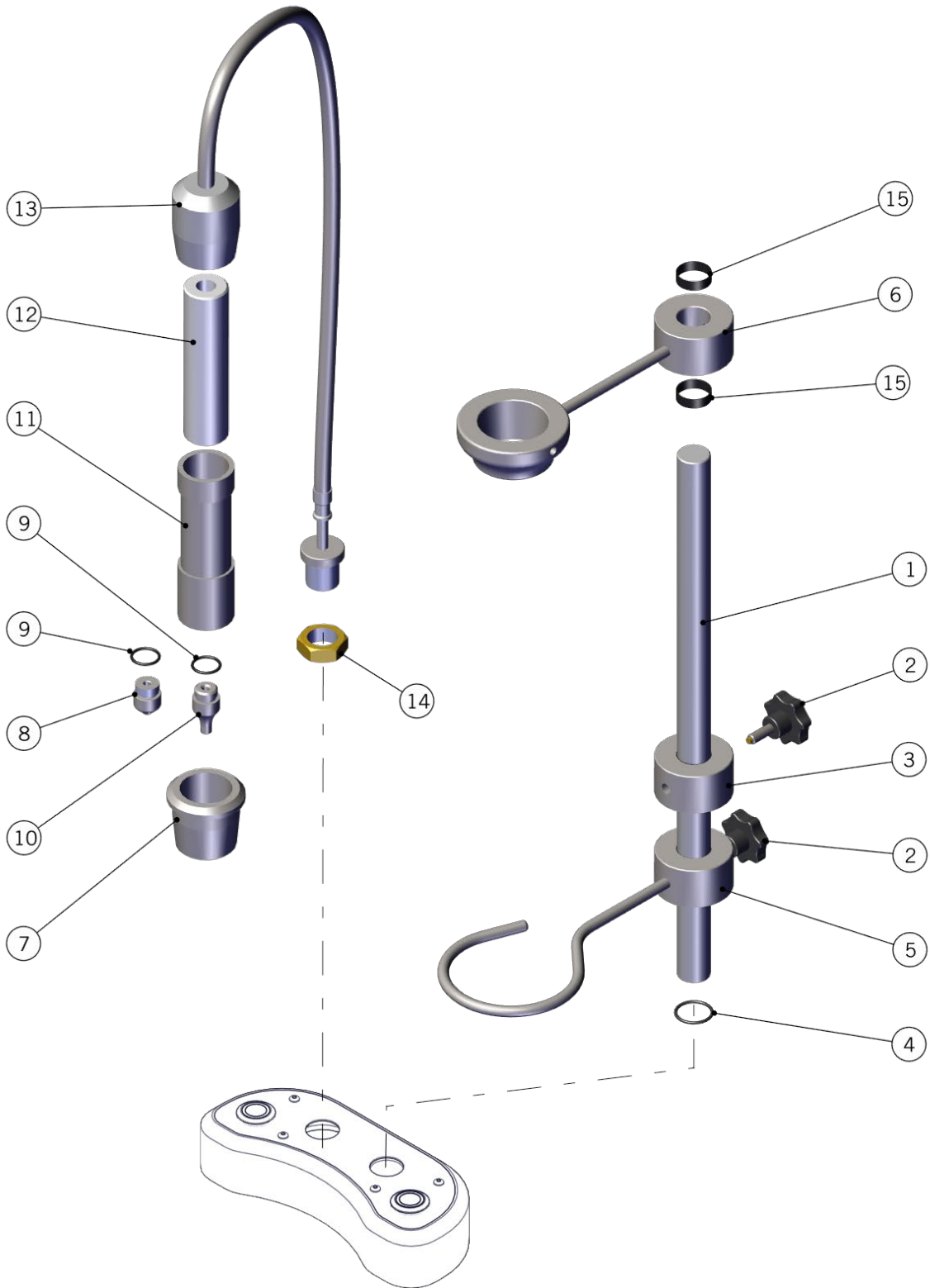
DRAIN TRAYS .....17-168



<b>SPECIFICATION</b>	Electrical Voltage	V	220-240V	
	Weights	Kg	16 (Module) 6,9 (Tap)	
		lb	35 (Module) 15,2 (Tap)	
	Wattage	W	3000	
	Required Available Amperage	A	11	13
	Frequency	Hz	50/60	
	Capacity	liters	1	

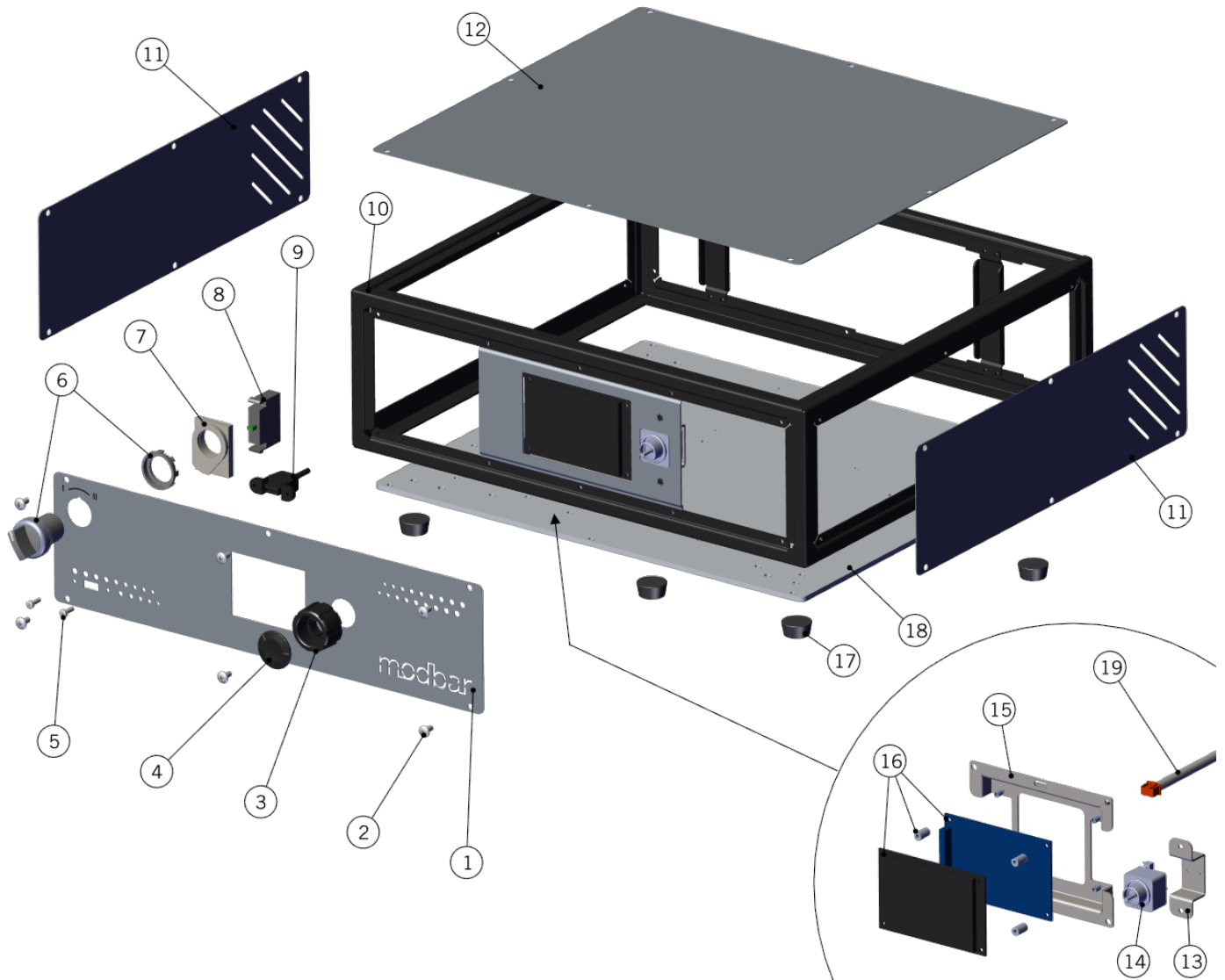


<b>POUR OVER TAP SYSTEM</b>	1	M-0097-02	SCREW M3X4
	2	M-0105-01	Pour-over font, base cover plate
	3	E-0043-01	Switch Ring Illuminated
	4	M-0148-01	O-ring, Pour Over, top seal, nitrile 70
	5	M-6011-01	POUR OVER TAP BASE
	6	M-0149-01	O-ring, Pour Over, bottom seal, nitrile
	7	M-0074-01	THREADED TUBE
	8	M-0076-01	"18-8 SS GENERAL PURPOSE FLAT WASHER 1-1
	9	M-5002-01	1.5 -12 MOUNTING NUT, 6061 ALUMINUM
	<b>Item</b>	<b>Part number</b>	<b>Description</b>

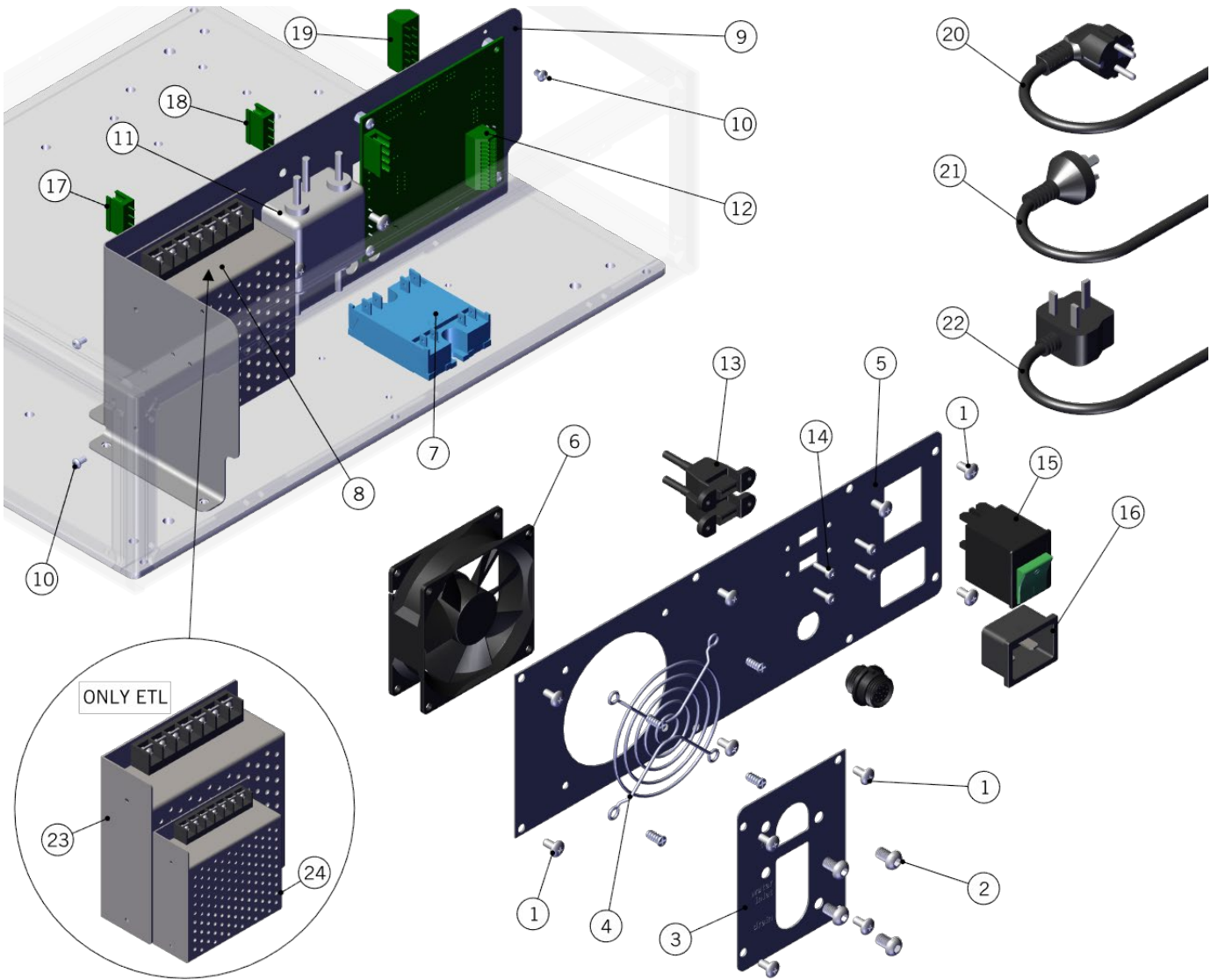




POUR OVER TAP SYSTEM	1	M-6012-01	POUR-OVER ROD
	2	M-0135-01	Pour-Over Carrier Hand knob, M6x16, Plas
	3	1105	LOCK SLEEVE W/ RINGS
	4	M-6013-01	PARKER-018 N70
	5	1104	HOOK HOLDER W/ RINGS
	6	1103	WATER WAND HOLDER W/ RINGS
	7	M-0072-01	Water wand bottom cap, 303 SS
	8	P-0102-01	Pour Over Hose Stub End, Taper Pipe Rigi
	9	M-0172-01	POUR-OVER NOZZLE ORING
	10	M-0073-01	"Fitting, Nipple, 1/4"" Male BSPP x 1/4"
	11	M-6009-01	WATER WAND HOUSING
	12	M-6014-01	TUBE HOT WATER WAND PTFE
	13	A-6003-02	HOSE HOT WATER POUROVER ASSEMBLY
	14	P-0107-01	Bulkead Locknut, 3/4 40, Brass
	15	F.1.147	RING GUIDE FOR ROD MODBAR
	Item	Part number	Description

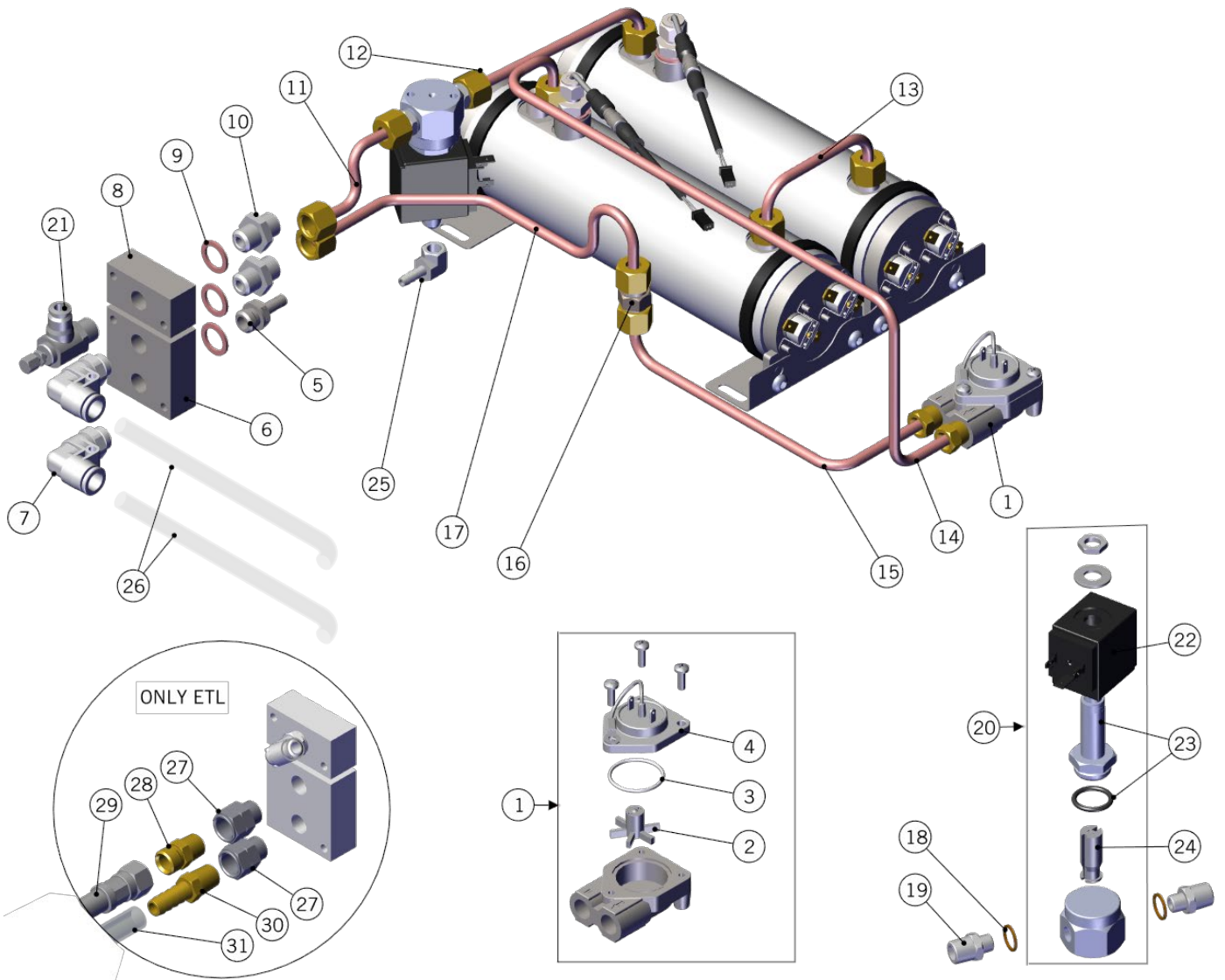


POUR OVER MODULE SYSTEM	1	M-5006-01	Panel, Brew Mod, Front, with engraving
	2	R-6002-01	S/S SCREW M4X8
	3	E-0044-01	Encoder Knob, Inner, for Grayhill Encode
	4	E-0045-01	Encoder Knob, Outer, for Grayhill Encode
	5	M-0100-01	SCREW M3X10 HEX HEAD
	6	E-5011-01	SELECTOR 2 POSITION
	7	E-5012-01	CONTACTS SUPPORT
	8	E-0130-01	CONTACT BLOCK
	9	E-0024-01	USB-A Panel mount connector, 6 cable
	10	M-5010-01	Anodized, Brew Frame
	11	M-5013-01	Panel, Brew, Side Cover
	12	M-5014-01	PANEL, TOP
	13	M-5012-01	Telaletto supporto manopola encoder
	14	E-0032-01	Navigation Joystick Encoder
	15	M-5011-01	Telaletto supporto Display
	16	EA-0008-04	MAIN DISPLAY ASSEMBLY
	17	5.120	FOOT. 3/4 DIA RUBBER
	18	M-5004-02	ANODIZED MOUNTING PLATE MODULE
	19	E-5029-01	BRAIN TO DISPLAY CABLE MODBAR EP
	Item	Part number	Description



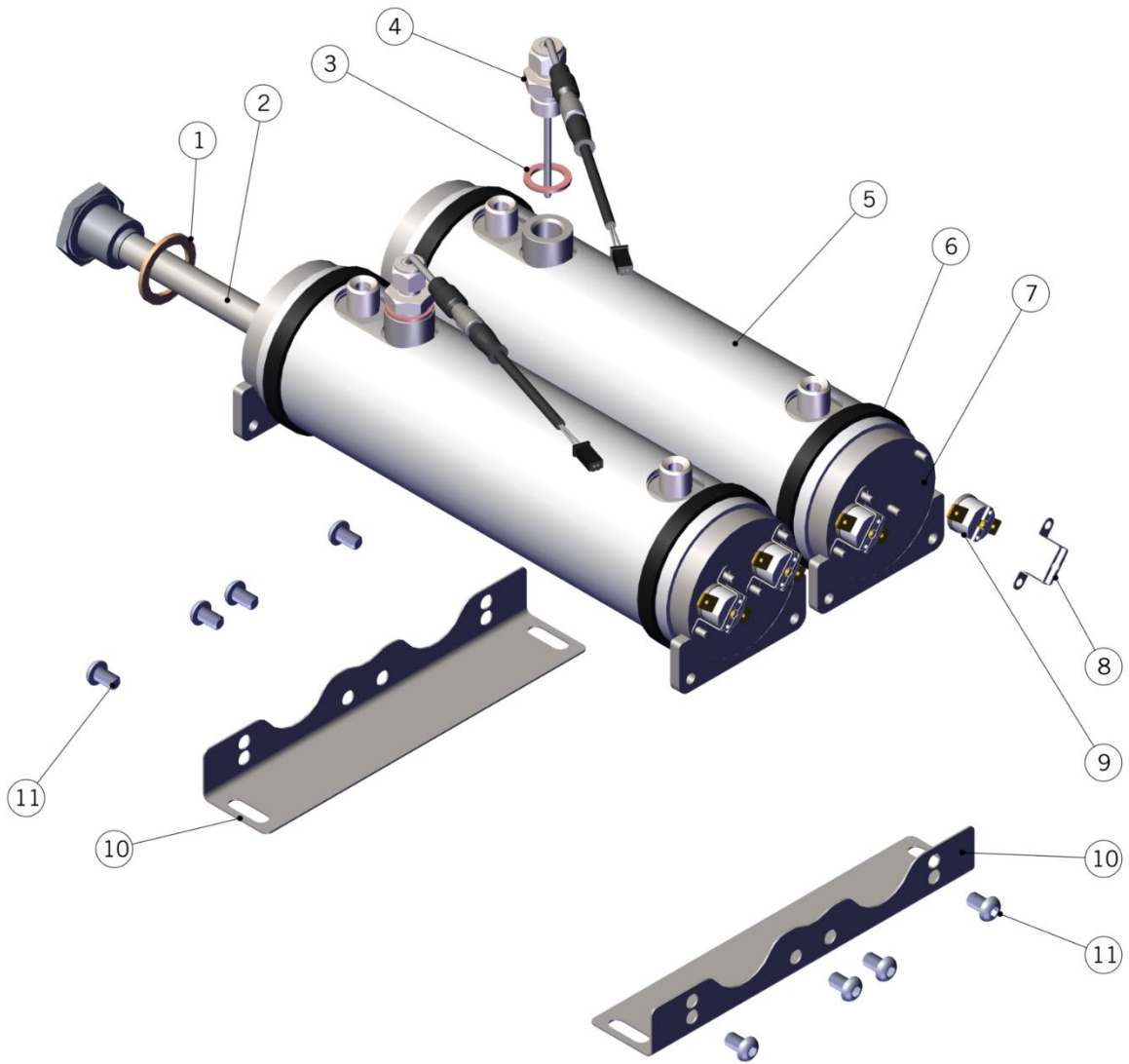
## POUR OVER MODULE SYSTEM

1	R-6002-01	S/S SCREW M4X8
2	M-0031-01	SCREW M6X8
3	M-5007-01	Panel, Brew, Water Inlet, with engraving
4	M-5019-01	"Steel Fan Guard for 3.15"" (80 mm) Fan"
5	M-6015-01	PANEL, BREW, ELECTRICAL INLET
6	E-5010-01	Fan, 80x80x25mm, 12V, Effizio, Fluid bal
7	E-0126-01	DUAL SOLID STATE RELAY
8	E-5025-01	POWER SUPPLY, AC-DC, SWITCHING, 15W, 5V,
9	M-5005-02	PANEL ENCLOSURE ELECTRONICS MODBAR
10	M-0097-02	SCREW M3X4
11	E-0127-01	ELECTRICAL FILTER
12	EA-0006-04	MAIN CIRCUIT BOARD
13	E-0024-01	USB-A Panel mount connector, 6 cable
14	M-0100-01	SCREW M3X10 HEX HEAD
15	E-0128-01	MAIN POWER SWITCH
16	E-0108-01	POWER INLET ADAPTOR
17	L334/12.01	12 STUD TERMINAL BLOCK
18	E.4.127	MORSETTO FEMMINA 12 PORTE
19	E.4.128	MORSETTO FEMMINA 4 PORTE
20	946	POWER SUPPLY CABLE MODBAR EUROPE
21	944	POWER SUPPLY CABLE MODBAR AUSTRALIA
22	942	POWER SUPPLY CABLE MODBAR UK
23	E.2.056	STRADA EP 1GR POWER SUPPLY
24	E.2.093	POWER SUPPLY 115/230-5V
<b>Item</b>	<b>Part number</b>	<b>Description</b>



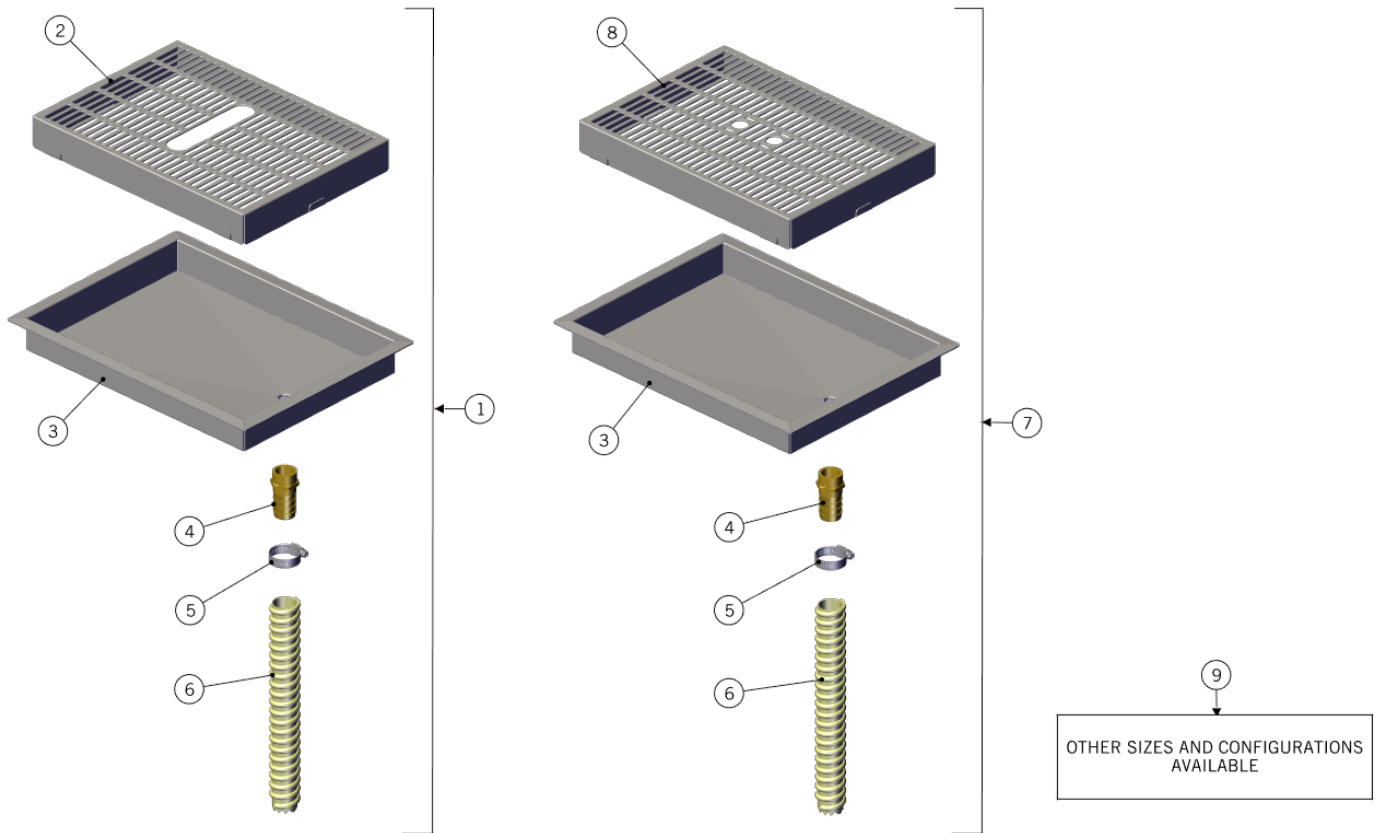
## POUR OVER MODULE SYSTEM

1	LAD070.01	FLOW METER
2	LAD070/V	FLOW METER IMPELLER
3	LAD070/S1	FLOW METER O-RING
4	LAD070/S.01	FLOW METER FIELD SENSOR
5	P-0015-01	"Fitting, 1/4"" stem x 1/4 UNI, push con
6	P-5001-01	"Manifold, water inlet,5/8"" thickness -
7	A.7.012	FITTING PUSH-IN 90° PVDF G1/4M – 10
8	P-5002-01	"Manifold, water inlet,5/8"" thickness -
9	L100/1A	WASHER 13,5X19X1,5 COPPER
10	L037/3.01	NIPPLE G1/4M-G1/4M WR19 H25.5 BRASS TR.
11	P-6007-01	TUBE SOLENOID VALVE - MANIFOLD
12	P-0024-01	Tube caldaia outlet - elettrovalvola
13	P-0023-01	Tube collegamento inlet boiler con outle
14	P-0069-01	TUBE FLOWMETER – INLET BOILER POUROVER
15	P-6012-01	TUBE CHECK VALVE - FLOWMETER MODBAR
16	B.2.027	CHECK VALVE H27,5
17	P-6002-01	TUBE WATER INLET MODBAR - CHECK VALVE
18	L100/D	WASHER 10X14X1,5 COPPER
19	L053/1.01	NIPPLE R1/8M-R1/4M WR14 BRASS TR.
20	P-0127-01	24V DC SOLENOID ASSEMBLY COMPLETE
21	P-0092-01	"Flow control valve, flow out, 1/4"" tub
22	B.2.026	COIL SOLENOID VALVE 24
23	A.5.077	CANOTTO 316L C/O-RING PER EV MODBAR
24	L100/H	3-WAY SOLENOID VALVE VITON PLUNGER
25	P-6028-01	ELBOW FITTING G 1/8 M - G 1/8 F
26	T.3.008	FEP TUBE 10/8 mm
27	P-0104-01	FITTING G1/4M-NPT1/4F WR17 H23 BRASS TR.
28	A.1.009	NIPPLE NPT 1/4M- 9/16-24UNEF WR14 H26
29	T.5.003	BRAIDED HOSE 3/8 COMPR. WR17 210CM NSF
30	A.1.011	HOSE FITTING NPT 1/4 WR14 D10,4 BRASS
31	T.6.001.01	DRAIN TUBE PVC
<b>Item</b>	<b>Part number</b>	<b>Description</b>





POUR OVER MODULE SYSTEM	1	M-6005-01	GASKET, UNIFLON FOR CYLINDRICAL HEATING
	2	E-6000-01	HEAT.ELEMENT W1500 V240 CM16 CABLE 300MM
	3	L100/1A	WASHER 13,5X19X1,5 COPPER
	4	E.1.005	TEMPERATURE PROBE PT1000 100MM
	5	M-6004-01	INSULATION 230X205X3 BOILER EP POUR OVER
	6	A.5.016.01	PLASTIC FASTENER 750X7.5
	7	A-6001-01	BREW BOILER
	8	F.9.002	BRACKET SAFETY THERMOSTAT CAMPINI TY60
	9	E-5008-01	thermostat CAMPINI without red pin
		L276	SAFETY THERMOSTAT 1P 130C 250V
	10	M-5003-01	Bracket, Boiler Mounting, Universal
11	M-0031-01	SCREW M6X8	
Item	Part number	Description	



DRAIN TRAYS	1	1100	TRAY DRAIN MODBAR STEAM COMPLETE
	2	C.1.410	GRID DRAIN MODBAR STEAM
	3	C.1.398	TRAY DRAIN MODBAR
	4	L037/2PGR	HOSE FITTING G1/2 WR22 D20 Di16 BRASS
	5	L312	HOSE CLAMP
	6	L308	CLEAR ARMOURED DRAIN HOSE
	7	987	TRAY DRAIN MODBAR COMPLETE
	8	C.1.399	GRID DRAIN MODBAR
	9	C.1.276	TRAY DRAIN MB 20X18X3 RECESSED
		C.1.277	TRAY DRAIN MB 30X18X3 RECESSED W/ DISCH
C.1.368		TRAY DRAIN MB 30X18X3 RECESSED W/ DISCH	
C.1.371		TRAY DRAIN MB 20x18x3	
C.1.372		TRAY DRAIN MB 50X22X3 RECESSED W/DISCH.	
C.1.373		TRAY DRAIN MB 60X22X3 RECESSED W/DISCH.	
C.1.377		TRAY DRAIN MB 40X22X3 RECESSED W/RINSER	
C.1.378		TRAY DRAIN MB 60X22X3 RECESSED W/RINSER	
Item	Part number	Description	